



## Valves

# Pneumatically Actuated 3-Way 'T' Port Brass Ball Valves

Reduced Port  
Female NPT x Female NPT

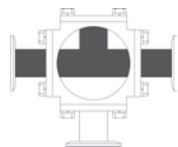


### 3-Way Ball Valve

- Pressure rating: **400 PSI WOG 100 PSI WSP**
- Maximum temperature: **344°F**
- Blow-out proof stem
- Chrome-plated brass ball
- PTFE seats with O-ring backing for low operating torque
- PTFE seats and double O-ring stem packing
- 100% tested
- Reduced port
- ISO 5211 mounting pad

### Rack and Pinion Actuator

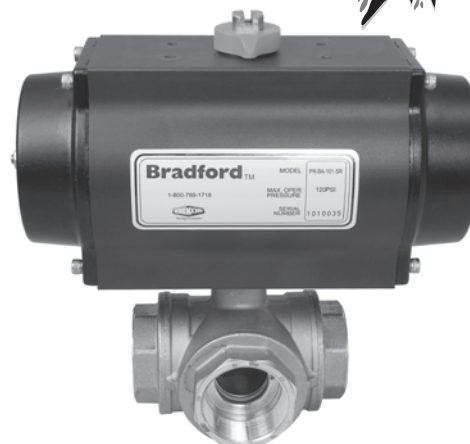
- Bi-directional stops for  $\pm 5^\circ$  travel adjustment
- 80 PSI plant air required
- Maximum operating pressure: **120 PSI**
- Operating temperature range: **-40°F to 200°F**
- Hard anodized aluminum body
- NAMUR mounting
- Nickel plated anti-blowout pinion
- Buna-N O-rings
- Visual position indication
- Tested to one million cycles



position A



position D

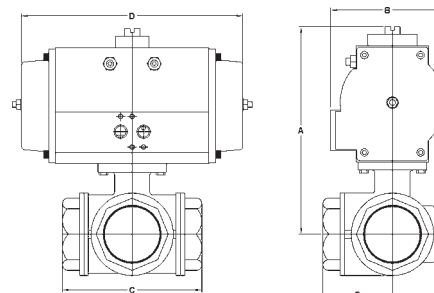


The actuator and valve are assembled with the default flow paths shown. Refer to page 551 for alternate flow paths.

## Spring Return

all dimensions are given in inches

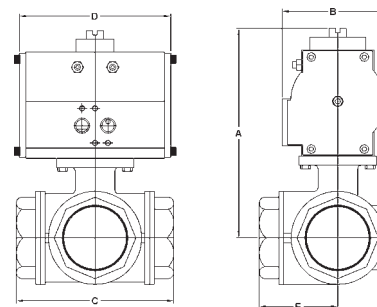
Size	A	B	C	D	E	Part #	Price/E
1/4"	4.72	2.80	2.64	5.49	1.32	<b>BV3BVTR-0251BBC</b>	<b>\$562.40</b>
3/8"	4.72	2.80	2.64	5.49	1.32	<b>BV3BVTR-0381BBC</b>	<b>562.40</b>
1/2"	4.72	2.80	2.87	5.49	1.44	<b>BV3BVTR-0501BBC</b>	<b>565.50</b>
3/4"	4.81	2.80	3.19	5.49	1.60	<b>BV3BVTR-0751BBC</b>	<b>577.00</b>
1"	6.28	3.74	3.74	7.45	1.87	<b>BV3BVTR-1001BBC</b>	<b>775.80</b>
1 1/4"	6.50	3.74	4.39	7.45	2.20	<b>BV3BVTR-1251BBC</b>	<b>863.00</b>
1 1/2"	6.99	3.74	4.86	7.45	2.43	<b>BV3BVTR-1501BBC</b>	<b>1005.95</b>
2"	8.45	4.69	5.73	9.10	2.87	<b>BV3BVTR-2001BBC</b>	<b>1428.65</b>
2 1/2"	8.90	4.69	6.93	9.10	3.47	<b>BV3BVTR-2501BBC</b>	<b>2088.95</b>
3"	8.90	4.69	7.08	9.10	3.54	<b>BV3BVTR-3001BBC</b>	<b>2091.65</b>



## Double Acting

all dimensions are given in inches

Size	A	B	C	D	E	Part #	Price/E
1/4"	3.76	1.77	2.64	4.33	1.32	<b>BV3BVTR-0251BCC</b>	<b>\$446.75</b>
3/8"	3.76	1.77	2.64	4.33	1.32	<b>BV3BVTR-0381BCC</b>	<b>446.75</b>
1/2"	3.76	1.77	2.87	4.33	1.44	<b>BV3BVTR-0501BCC</b>	<b>449.85</b>
3/4"	3.85	1.77	3.19	4.33	1.60	<b>BV3BVTR-0751BCC</b>	<b>461.35</b>
1"	5.53	3.20	3.74	5.32	1.87	<b>BV3BVTR-1001BCC</b>	<b>574.85</b>
1 1/4"	5.75	3.20	4.39	5.32	2.20	<b>BV3BVTR-1251BCC</b>	<b>662.10</b>
1 1/2"	6.24	3.20	4.86	5.32	2.43	<b>BV3BVTR-1501BCC</b>	<b>805.05</b>
2"	7.55	3.74	5.73	5.51	2.87	<b>BV3BVTR-2001BCC</b>	<b>1122.05</b>
2 1/2"	8.00	3.74	6.93	5.51	3.47	<b>BV3BVTR-2501BCC</b>	<b>1782.35</b>
3"	8.00	3.74	7.08	5.51	3.54	<b>BV3BVTR-3001BCC</b>	<b>1785.05</b>



A wide variety of switches, solenoids, positioners, etc., are available. Contact the factory at 800.789.1718 for details.

**SAFETY**  
ALERT

### Caution !

**SAFETY**  
ALERT

Even though there are torque safety factors built into our automated ball valve packages, actual service conditions must also be considered when selecting the proper product for the appropriate application.

For example: Severe service conditions such as dirty water, dirty air, all slurries, raw sewage water, oils, and other viscous fluids can have a dramatic affect in raising the torque requirements of ball valves as much as 75% and therefore larger actuators may be required. Please consult the factory when dealing with these types of applications.