



Valves

Pneumatically Actuated Brass Ball Valves



Full Port
Female NPT x Female NPT



2-Piece Brass Ball Valve

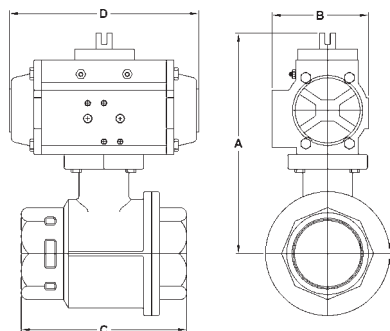
- Brass stem and ball
- PTFE seats with double O-ring stem packing
- Pressure rating: **600 PSI WOG - 150 PSI WSP**
- Maximum temperature: **366°F**
- ISO 5211 mounting pad
- Viton® elastomers

Rack and Pinion Actuator

- Bi-directional stops for $\pm 5^\circ$ travel adjustment
- 80 PSI plant air required
- Maximum operating pressure: **120 PSI**
- Operating temperature range: **-40°F to 200°F**
- Hard anodized aluminum body
- NAMUR mounting
- Nickel plated anti-blowout pinion
- Buna-N O-rings
- Visual position indication
- Tested to one million cycles

Spring Return (normally closed)

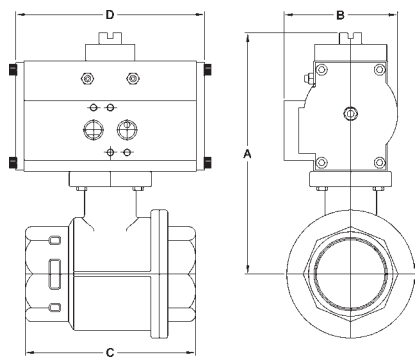
all dimensions are given in inches



Size	A	B	C	D	Part #	Price/E
1/4"	4.80	2.80	2.64	5.49	BV2BV-02511-BBC	\$525.25
3/8"	4.80	2.80	2.64	5.49	BV2BV-03811-BBC	525.25
1/2"	4.80	2.80	2.64	5.49	BV2BV-05011-BBC	509.95
3/4"	4.88	2.80	3.00	5.49	BV2BV-07511-BBC	513.60
1"	5.31	2.80	3.35	5.49	BV2BV-10011-BBC	535.95
1¼"	5.45	2.80	3.66	5.49	BV2BV-12511-BBC	585.65
1½"	6.04	2.80	4.13	5.49	BV2BV-15011-BBC	648.60
2"	6.40	2.80	4.80	5.49	BV2BV-20011-BBC	704.30
2½"	8.13	3.74	6.10	8.09	BV2BV-25011-BBC	1212.70
3"	8.50	3.74	6.89	8.09	BV2BV-30011-BBC	1468.85
4"	10.14	4.69	8.03	9.84	BV2BV-40011-BBC	2142.60

Double Acting

all dimensions are given in inches



Size	A	B	C	D	Part #	Price/E
1/4"	3.84	1.77	2.64	4.33	BV2BV-02511-BCC	\$409.60
3/8"	3.84	1.77	2.64	4.33	BV2BV-03811-BCC	409.60
1/2"	3.84	1.77	2.64	4.33	BV2BV-05011-BCC	394.30
3/4"	3.92	1.77	3.00	4.33	BV2BV-07511-BCC	397.95
1"	4.35	1.77	3.35	4.33	BV2BV-10011-BCC	420.30
1¼"	4.49	1.77	3.66	4.33	BV2BV-12511-BCC	470.00
1½"	6.42	3.20	4.13	5.68	BV2BV-15011-BCC	581.30
2"	6.78	3.20	4.80	5.68	BV2BV-20011-BCC	637.05
2½"	8.13	3.74	6.10	5.87	BV2BV-25011-BCC	1093.70
3"	8.50	3.74	6.89	5.87	BV2BV-30011-BCC	1349.85
4"	10.14	4.69	8.03	7.20	BV2BV-40011-BCC	2103.65

A wide variety of switches, solenoids, positioners, etc., are available. Contact the factory at 800.789.1718 for details.

SAFETY
ALERT

Caution !

SAFETY
ALERT

Even though there are torque safety factors built into our automated ball valve packages, actual service conditions must also be considered when selecting the proper product for the appropriate application.

For example: Severe service conditions such as dirty water, dirty air, all slurries, raw sewage water, oils, and other viscous fluids can have a dramatic affect in raising the torque requirements of ball valves as much as 75% and therefore larger actuators may be required. Please consult the factory when dealing with these types of applications.