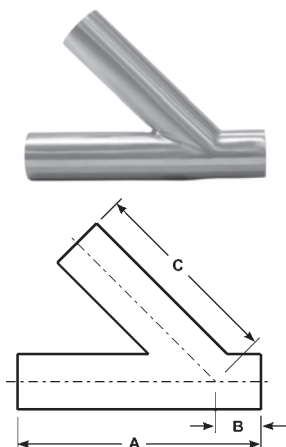


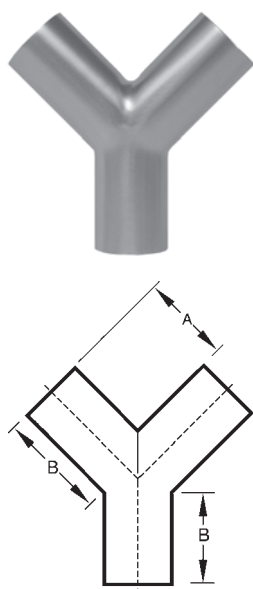
Miscellaneous Configurations

3 Butt weld Laterals, #7 finish - B28WA



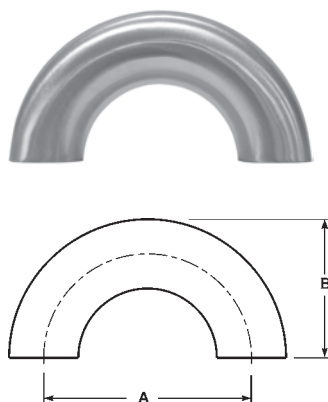
Tube OD	Dimensions			Nom. Wall	polished ID/OD 316L Stainless Steel	
	A	B	C		Part #	Price / Each
1"	6.000	1.000	5.000	.065	B28WA-R100P	\$587.20
1½"	7.375	1.188	6.188	.065	B28WA-R150P	563.10
2"	8.750	1.625	7.125	.065	B28WA-R200P	666.70

3 Butt weld True Y, #7 finish - B28W



Tube OD	Dimensions		Nom. Wall	polished ID/OD 316L Stainless Steel	
	A	B		Part #	Price / Each
1"	2.000	2.438	.065	B28W-R100P	\$634.35
1½"	2.000	2.438	.065	B28W-R150P	697.40
2"	2.625	3.250	.065	B28W-R200P	698.35
3"	4.000	4.875	.065	B28W-R300P	876.40
4"	5.375	5.375	.083	B28W-R400P	1598.75

3 180° Butt weld Return Bends, #7 finish - B2WUL



Tube OD	Dimensions		polished ID/OD 316L Stainless Steel	
	A	B	Part #	Price / Each
1½"	4.500	3.000	B2WUL-R150P	\$313.30
2"	6.000	4.000	B2WUL-R200P	430.85

• Bends are standard 1.5 x tube diameter

Sanitary Fittings K