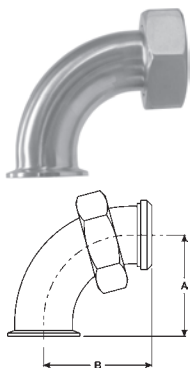


Clamp Elbows

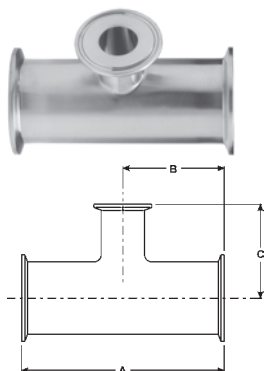
90° Clamp by Plain Bevel Seat with Hex Nut Elbows - **B2FMP-14**



Tube OD	Dimensions		304 Stainless Steel	
	A	B	Part #	Price / Each
2"	3.500	3.750	B2FMP-14-G200	\$157.15
2½"	4.250	5.375	B2FMP-14-G250	202.80
3"	5.000	5.406	B2FMP-14-G300	301.15

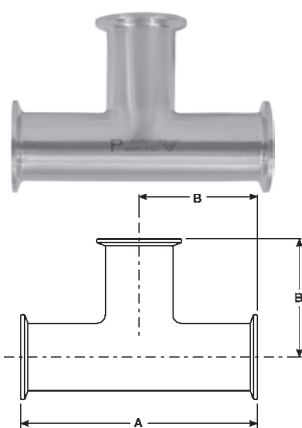
Clamp Tees

Clamp Reducing Tees - **B7RMP**



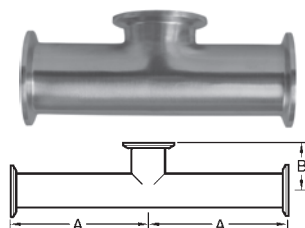
Tube OD	Dimensions			304 Stainless Steel		316L Stainless Steel	
	A	B	C	Part #	Price / E	Part #	Price / E
1½" x 1"	5.125	2.562	1.875	---	---	B7RMP-R150100	\$234.35
2" x 1"	5.125	2.562	2.125	B7RMP-G200100	\$210.95	B7RMP-R200100	264.75
2" x 1½"	5.688	2.844	2.406	B7RMP-G200150	158.95	B7RMP-R200150	282.80
2½" x 1½"	5.688	2.844	2.656	B7RMP-G250150	266.00	B7RMP-R250150	337.95
2½" x 2"	6.188	3.093	2.812	B7RMP-G250200	210.40	---	---
3" x 1½"	6.188	3.093	2.906	B7RMP-G300150	315.90	B7RMP-R300150	453.50
3" x 2"	6.188	3.093	3.063	B7RMP-G300200	263.15	B7RMP-R300200	374.90

Clamp Tees - **B7MP**



Tube OD	Dimensions		304 Stainless Steel		316L Stainless Steel	
	A	B	Part #	Price / E	Part #	Price / E
½"	4.750	2.375	---	---	B7MP-R50	\$344.30
¾"	5.000	2.500	---	---	B7MP-R75	344.30
1"	4.750	2.375	B7MP-G100	\$111.75	B7MP-R100	131.05
1½"	5.500	2.750	B7MP-G150	102.05	B7MP-R150	137.85
2"	7.000	3.500	B7MP-G200	124.55	B7MP-R200	166.20
2½"	7.000	3.500	---	---	B7MP-R250	228.35
3"	7.500	3.750	B7MP-G300	205.10	B7MP-R300	288.60
4"	9.000	4.500	B7MP-G400	293.25	B7MP-R400	414.95
6"	13.000	6.500	B7MP-G600	2103.95	---	---
8"	15.750	7.875	B7MP-G800	3002.20	---	---

Short Outlet Clamp Tee - **B7MPS**



Tube OD	Dimensions		316L Stainless Steel	
	A	B	Part #	Price / E
1½"	2.750	1.375	B7MPS-R150	\$249.05
2"	3.500	1.625	B7MPS-R200	288.10