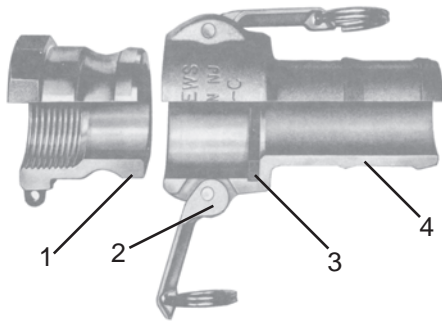


Cam and Groove

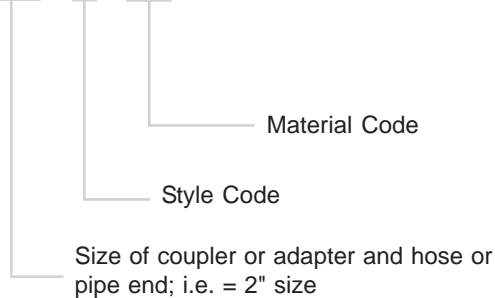
Dixon



1. Precision machined to rigid tolerances.
2. Durable stainless steel cam arm pins will not rust or bind, for greater strength and safety.
3. Recess holds gasket firmly in place - ensures proper placement.
4. Long shank design allows proper banding, thus eliminating the major cause of hose damage.

Ordering System

200 - A - AL



If coupling is a reducing size, the coupler or adapter is the first size (i.e. 4030-C is 4" coupler to 3" hose shank).

Operation of Cam and Groove

1. To make connection, simply slide the adapter into the coupler and with normal hand pressure, press the cam levers down.
2. Uncoupling is as quick and simple as coupling. Just lift the cam arms and remove the adapter.

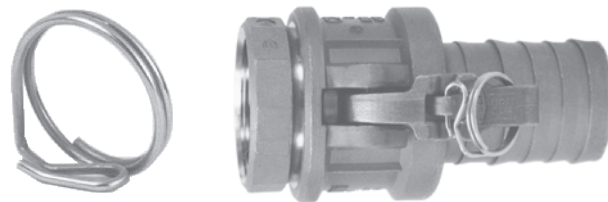
Boss-Lock

Boss-Lock cam and groove provides a *unique patented safety feature.*



The cast-in lugs allow safety clips to be attached once the lugs are passed through slots in the special cam lever arms. These clips prevent the coupler from being unlocked until they are removed, providing a *positive locking action.*

Pull Ring Safety Clips



Dixon has developed the pull ring safety clip to simplify the locking action on Boss-Lock couplers. No more inserting clips or dangling lanyards, just a twist and it's locked, giving you a low profile *positive locking action.*

Buy with Confidence

Boss-Lock investment stainless steel cam arms are guaranteed!!!
Should you ever break a Boss-Lock investment stainless steel cam arm, simply return it to the nearest warehouse for a free replacement.

All cast dimensions are nominal. See page 2 for reference.

Specifications on Dixon Cam and Groove

Specifications:

Dixon, Boss-Lock and EZ Boss-Lock cam and groove couplers and adapters are produced to interchange with all product produced to *Mil-C-27487F*. No standard exists for the 1/2" and 8" fittings, and generally these sizes do not interchange with other manufacturers. Dust caps and dust plugs are *not* to be used in pressure applications for safety and *environmental reasons*. *Designed for use with liquids*, consult Dixon for specific recommendations.

Pressure Ratings:

**SAFETY
ALERT**

Recommendations based on the use of mating Dixon fittings at ambient temperature (70°F) with standard Buna-N Seal installed. For use at elevated temperature or other unusual operating conditions, consult the factory.

Dixon, Boss-Lock and EZ Boss-Lock couplers and adapters maximum working pressure:

Sizes	1/2"	3/4"-2"	2 1/2"	3"	4"	5" and 6"
PSI	150	250	150	125	100	75