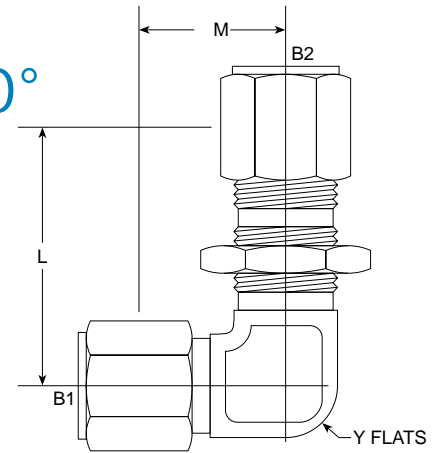


# BT-BT Bulkhead Union 90° C2701 Series

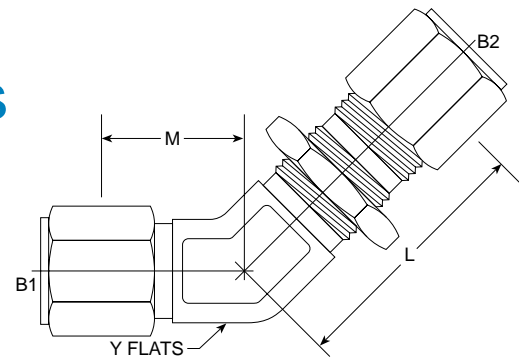
SAE# 080701 / MS# 51855



PART NO. SIZE	TUBE O.D.	B1 THREAD	B2 THREAD	L LGTH	M.M.	M LGTH	M.M.	Y FLATS	Y FLATS	M.M.	Standard Material From Stock			
											S	FG	SS	B
C2701-03-03	3/16	3/8-24	3/8-24	1.410	35.81	0.920	23.37	7/16	0.438	11.12			•	
C2701-04-04	1/4	7/16-20	7/16-20	1.520	38.61	0.950	24.13	7/16	0.438	11.12			•	
C2701-06-06	3/8	9/16-18	9/16-18	1.700	43.18	1.080	27.43	9/16	0.562	14.27			•	
C2701-08-08	1/2	3/4-16	3/4-16	1.970	50.04	1.330	33.78	3/4	0.750	19.05			•	
C2701-10-10	5/8	7/8-14	7/8-14	2.270	57.66	1.520	38.61	7/8	0.875	22.22			•	
C2701-12-12	3/4	1 1/16-12	1 1/16-12	2.480	62.99	1.640	41.66	1 1/16	1.062	26.97			•	
C2701-16-16	1	1 5/16-12	1 5/16-12	2.610	66.29	1.730	43.94	1 5/16	1.312	33.32			•	
C2701-20-20	1 1/4	1 5/8-12	1 5/8-12	2.890	73.41	2.020	51.31	1 5/8	1.625	41.27			•	

# BT-BT Bulkhead Union 45° C2702 Series

SAE# 080801



PART NO. SIZE	TUBE O.D.	B1 THREAD	B2 THREAD	L LGTH	M.M.	M LGTH	M.M.	Y FLATS	Y FLATS	M.M.	Standard Material From Stock			
											S	FG	SS	B
C2702-04-04	1/4	7/16-20	7/16-20	1.450	36.83	0.700	17.78	7/16	0.438	11.12			•	
C2702-06-06	3/8	9/16-18	9/16-18	1.560	39.62	0.830	21.08	9/16	0.562	14.27			•	
C2702-08-08	1/2	3/4-16	3/4-16	1.810	45.97	0.980	24.89	3/4	0.750	19.05			•	
C2702-12-12	3/4	1 1/16-12	1 1/16-12	2.250	57.15	1.270	32.26	1 1/16	1.062	26.97			•	