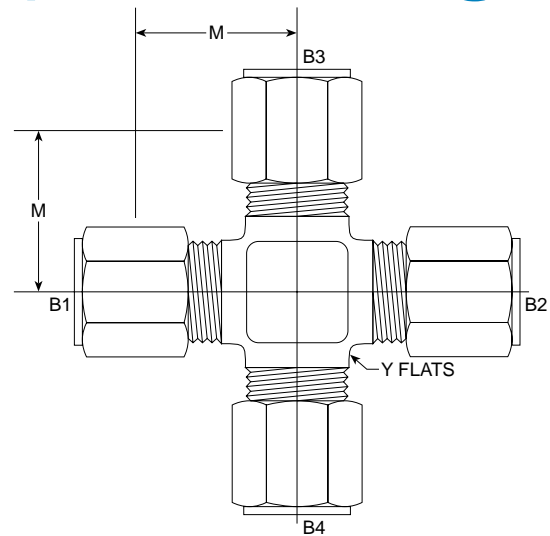


Flareless Bite Type Fittings

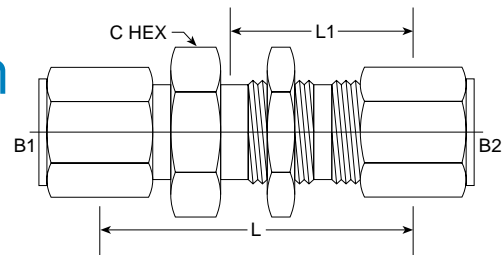
BT-BT-BT-BT Cross C2650 Series

SAE# 080501 / MS# 51894



PART NO. SIZE	TUBE O.D.	B1 THREAD	B2 THREAD	B3 THREAD	B4 THREAD	M LGTH	M.M.	Y FLATS	Y FLATS	M.M.	Standard Material From Stock			
											S	FG	SS	B
C2650-04-04-04-04	1/4	7/16-20	7/16-20	7/16-20	7/16-20	0.890	22.62	7/16	0.438	11.12		•	•	
C2650-06-06-06-06	3/8	9/16-18	9/16-18	9/16-18	9/16-18	1.050	26.67	9/16	0.562	14.27		•	•	
C2650-08-08-08-08	1/2	3/4-16	3/4-16	3/4-16	3/4-16	1.250	31.75	3/4	0.750	19.05		•	•	
C2650-10-10-10-10	5/8	7/8-14	7/8-14	7/8-14	7/8-14	1.420	36.07	7/8	0.875	22.22		•	•	
C2650-16-16-16-16	1	1 5/16-12	1 5/16-12	1 5/16-12	1 5/16-12	1.730	43.94	1 5/16	1.312	33.32			•	
C2650-20-20-20-20	1 1/4	1 5/8-12	1 5/8-12	1 5/8-12	1 5/8-12	1.890	48.01	1 5/8	1.625	41.27			•	
C2650-24-24-24-24	1 1/2	1 7/8-12	1 7/8-12	1 7/8-12	1 7/8-12	2.020	51.31	1 7/8	1.875	47.62			•	
C2650-32-32-32-32	2	2 1/2-12	2 1/2-12	2 1/2-12	2 1/2-12	2.450	62.23	2 1/2	2.500	63.50			•	

BT-BT Bulkhead Union C2700 Series



PART NO. SIZE	TUBE O.D.	B1 THREAD	B2 THREAD	L LGTH	M.M.	L1 LGTH	M.M.	C HEX	C HEX	M.M.	Standard Material From Stock			
											S	FG	SS	B
C2700-04-04	1/4	7/16-20	7/16-20	1.130	28.70	1.890	48.01	11/16	0.688	17.47	•		•	
C2700-06-06	3/8	9/16-18	9/16-18	1.170	29.72	1.980	50.29	13/16	0.812	20.62	•		•	
C2700-08-08	1/2	3/4-16	3/4-16	1.310	33.27	2.220	56.39	1	1.000	25.40	•		•	
C2700-10-10	5/8	7/8-14	7/8-14	1.450	36.83	2.480	62.99	1 1/8	1.125	28.57	•		•	
C2700-12-12	3/4	1 1/16-12	1 1/16-12	1.560	39.62	2.720	69.09	1 3/8	1.375	34.92	•		•	
C2700-16-16	1	1 5/16-12	1 5/16-12	1.560	39.62	2.720	69.09	1 5/8	1.625	41.27			•	