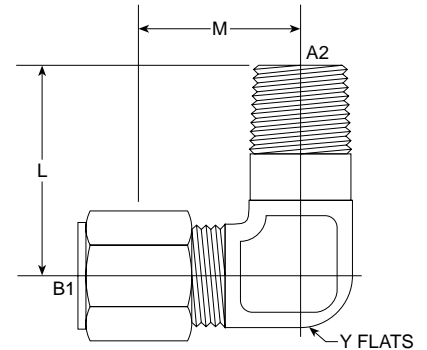


# BT-MP Elbow 90° Long C2501-L Series

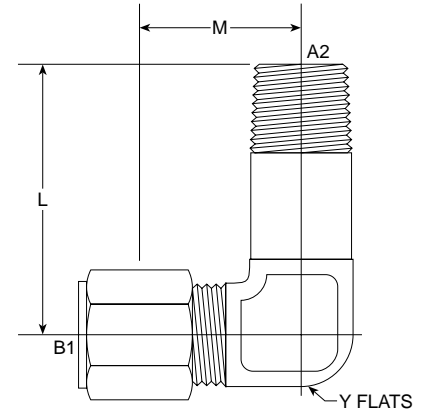
SAE # 071502



PART NO. SIZE	TUBE O.D.	B1 THREAD	A2 NPTF	L LGTH	M.M.	M LGTH	M.M.	Y FLATS	Y FLATS	M.M.	Standard Material From Stock			
											S	FG	SS	B
C2501-L-04-02	1/4	7/16-20	1/8-27	1.170	29.72	0.890	22.61	7/16	0.438	11.12				•
C2501-L-04-04	1/4	7/16-20	1/4-18	1.580	40.13	1.030	26.16	9/16	0.562	14.27				•
C2501-L-05-04	5/16	1/2-20	1/4-18	1.440	36.58	1.030	26.16	9/16	0.562	14.27				•
C2501-L-06-06	3/8	9/16-18	3/8-18	1.830	46.48	1.140	28.96	3/4	0.750	19.05				•
C2501-L-12-12	3/4	1 1/16-12	3/4-14	2.440	61.98	1.580	40.13	1 1/16	1.062	26.97				•
C2501-L-16-16	1	1 5/16-12	1-11 1/2	3.010	76.45	1.730	43.94	1 5/16	1.312	33.32				•
C2501-L-20-20	1 1/4	1 5/8-12	1 1/4-11 1/2	3.690	93.73	1.890	48.01	1 5/8	1.625	41.27				•
C2501-L-24-24	1 1/2	1 7/8-12	1 1/2-11 1/2	4.100	104.14	2.020	51.31	1 7/8	1.875	47.62				•
C2501-L-32-32	2	2 1/2-12	2-11 1/2	4.810	122.17	2.450	62.23	2 1/2	2.500	63.50				•

# BT-MP Elbow 90° X-Long C2501-LL Series

SAE # 081602



PART NO. SIZE	TUBE O.D.	B1 THREAD	A2 NPTF	L LGTH	M.M.	M LGTH	M.M.	Y FLATS	Y FLATS	M.M.	Standard Material From Stock			
											S	FG	SS	B
C2501-LL-04-02	1/4	7/16-20	1/8-27	1.560	39.62	0.890	22.61	7/16	0.438	11.12				•
C2501-LL-04-04	1/4	7/16-20	1/4-18	2.030	51.56	1.030	26.16	9/16	0.562	14.27				•
C2501-LL-05-02	5/16	1/2-20	1/8-27	1.630	41.40	0.950	24.13	9/16	0.562	14.27				•
C2501-LL-06-04	3/8	9/16-18	1/4-18	2.070	52.58	1.050	26.67	9/16	0.562	14.27				•
C2501-LL-08-06	1/2	3/4-16	3/8-18	2.420	61.47	1.250	31.75	3/4	0.750	19.05				•
C2501-LL-10-08	5/8	7/8-14	1/2-14	2.870	72.90	1.420	36.07	7/8	0.875	22.22				•
C2501-LL-12-12	3/4	1 1/16-12	3/4-14	3.280	83.31	1.580	40.13	1 1/16	1.062	26.97				•
C2501-LL-16-16	1	1 5/16-12	1-11 1/2	4.050	102.82	1.730	43.94	1 5/16	1.312	33.32				•
C2501-LL-20-20	1 1/4	1 5/8-12	1 1/4-11 1/2	5.000	127.00	1.890	48.01	1 5/8	1.625	41.27				•
C2501-LL-24-24	1 1/2	1 7/8-12	1 1/2-11 1/2	5.550	140.97	2.020	51.32	1 7/8	1.875	47.62				•
C2501-LL-32-32	2	2 1/2-12	2-11 1/2	6.630	168.40	2.450	62.23	2 1/2	2.500	63.50				•