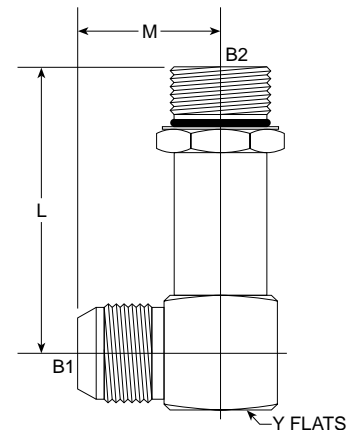


Tube Fittings & Adapters

6801-NWO Series *Continued*

PART NO. SIZE	TUBE O.D.	B1 SAE 37	B2 SAE ORB	L LGTH	M.M.	M LGTH	M.M.	Y FLATS	Y FLATS	M.M.	Standard Material From Stock			
											S	FG	SS	B
6801-20-16-NWO	1 1/4	1 5/8-12	1 5/16-12	2.230	56.64	2.060	52.32	1 3/4	1.750	44.45	•	•	•	
6801-20-20-NWO	1 1/4	1 5/8-12	1 5/8-12	2.250	57.15	2.060	52.32	1 3/4	1.750	44.45	•	•	•	
6801-20-24-NWO	1 1/4	1 5/8-12	1 7/8-12	2.420	61.47	2.280	57.91	1 7/8	1.875	47.63	•	•	•	
6801-24-16-NWO	1 1/2	1 7/8-12	1 5/16-12	2.340	59.44	2.330	59.18	2	2.000	50.80	•	•	•	
6801-24-20-NWO	1 1/2	1 7/8-12	1 5/8-12	2.380	60.45	2.330	59.18	2	2.000	50.80	•	•	•	
6801-24-24-NWO	1 1/2	1 7/8-12	1 7/8-12	2.390	60.71	2.330	59.18	2	2.000	50.80	•	•	•	
6801-32-24-NWO	2	2 1/2-12	1 7/8-12	2.890	73.41	3.060	77.72	2 1/2	2.500	63.50	•	•	•	
6801-32-32-NWO	2	2 1/2-12	2 1/2-12	2.890	73.41	3.060	77.72	2 5/8	2.625	66.68	•	•	•	

MJ-MAORB 90° Long 6801-L-NWO Series



PART NO. SIZE	TUBE O.D.	B1 SAE 37	B2 SAE ORB	L LGTH	M.M.	M LGTH	M.M.	Y FLATS	Y FLATS	M.M.	Standard Material From Stock			
											S	FG	SS	B
6801-L-04-04-NWO	1/4	7/16-20	7/16-20	1.190	30.23	0.890	22.61	1/2	0.500	12.70	•	•	•	
6801-L-06-06-NWO	3/8	9/16-18	9/16-18	1.660	42.16	1.060	26.92	5/8	0.625	15.88	•	•	•	
6801-L-06-08-NWO	3/8	9/16-18	3/4-16	1.810	45.97	1.140	28.96	13/16	0.812	20.62	•	•	•	
6801-L-08-06-NWO	1/2	3/4-16	9/16-18	1.750	44.45	1.250	31.75	5/8	0.812	15.87	•	•	•	
6801-L-08-08-NWO	1/2	3/4-16	3/4-16	1.810	45.97	1.250	31.75	13/16	0.812	20.62	•	•	•	
6801-L-08-10-NWO	1/2	3/4-16	7/8-14	1.710	43.43	1.330	33.78	15/16	0.937	23.80	•	•	•	
6801-L-10-08-NWO	5/8	7/8-14	3/4-16	1.810	45.97	1.450	36.83	7/8	0.875	22.23	•	•	•	
6801-L-10-10-NWO	5/8	7/8-14	7/8-14	2.160	54.86	1.450	36.83	15/16	0.937	23.80	•	•	•	
6801-L-10-12-NWO	5/8	7/8-14	1 1/16-12	2.250	57.15	1.660	42.16	1 1/8	1.125	28.58	•	•	•	
6801-L-12-10-NWO	3/4	1 1/16-12	7/8-14	2.470	62.74	1.660	42.16	1 1/8	1.125	28.58	•	•	•	
6801-L-12-12-NWO	3/4	1 1/16-12	1 1/16-12	2.470	62.74	1.660	42.16	1 1/8	1.125	28.58	•	•	•	
6801-L-16-12-NWO	1	1 5/16-12	1 1/16-12	2.590	65.79	1.810	45.97	1 3/8	1.375	34.93	•	•	•	
6801-L-16-16-NWO	1	1 5/16-12	1 5/16-12	3.060	77.72	1.810	45.97	1 3/8	1.375	34.93	•	•	•	
6801-L-20-20-NWO	1 1/4	1 5/8-12	1 5/8-12	4.400	111.73	2.060	52.31	1 3/4	1.750	44.44	•	•	•	