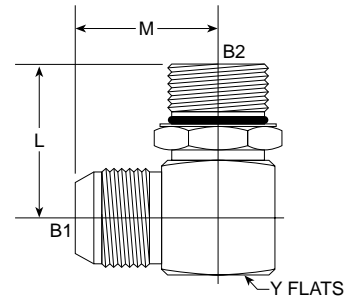


MJ-MAORB 90° 6801-NWO Series

SAE# 070220 / MS# 51527



PART NO. SIZE	TUBE O.D.	B1 SAE 37	B2 SAE ORB	L LGTH	M.M.	M LGTH	M.M.	Y FLATS	Y FLATS	M.M.	Standard Material From Stock			
											S	FG	SS	B
6801-02-02-NWO	1/8	5/16-24	5/16-24	0.940	23.88	0.770	19.56	7/16	0.437	11.11	•	•	•	
6801-02-04-NWO	1/8	5/16-24	7/16-20	1.030	26.16	0.780	19.81	1/2	0.500	12.70	•	•	•	
6801-03-03-NWO	3/16	3/8-24	3/8-24	0.940	23.88	0.830	21.08	7/16	0.437	11.11	•	•	•	
6801-04-02-NWO	1/4	7/16-20	5/16-24	0.920	23.37	0.890	22.61	7/16	0.438	11.13	•	•	•	
6801-04-03-NWO	1/4	7/16-20	3/8-24	1.030	26.16	0.950	24.13	7/16	0.438	11.13	•	•	•	
6801-04-04-NWO	1/4	7/16-20	7/16-20	1.030	26.16	0.890	22.61	1/2	0.500	12.70	•	•	•	
6801-04-05-NWO	1/4	7/16-20	1/2-20	1.130	28.70	0.950	24.13	5/8	0.625	15.88	•	•	•	
6801-04-06-NWO	1/4	7/16-20	9/16-18	1.250	31.75	1.050	26.67	5/8	0.625	15.88	•	•	•	
6801-04-08-NWO	1/4	7/16-20	3/4-16	1.450	36.83	1.120	28.45	13/16	0.812	20.62	•	•	•	
6801-05-04-NWO	5/16	1/2-20	7/16-20	1.130	28.70	0.950	24.13	9/16	0.562	14.27	•	•	•	
6801-05-05-NWO	5/16	1/2-20	1/2-20	1.130	28.70	0.950	24.13	9/16	0.562	14.27	•	•	•	
6801-05-06-NWO	5/16	1/2-20	9/16-18	1.250	31.75	1.050	26.67	5/8	0.625	15.88	•	•	•	
6801-05-08-NWO	5/16	1/2-20	3/4-16	1.450	36.83	1.120	28.45	13/16	0.812	20.62	•	•	•	
6801-05-10-NWO	5/16	1/2-20	7/8-14	1.700	43.18	1.210	30.73	15/16	0.937	23.80	•	•	•	
6801-06-02-NWO	3/8	9/16-18	5/16-24	1.150	29.21	1.120	28.45	9/16	0.562	14.27	•	•	•	
6801-06-04-NWO	3/8	9/16-18	7/16-20	1.190	30.23	1.060	26.92	5/8	0.625	15.88	•	•	•	
6801-06-05-NWO	3/8	9/16-18	1/2-20	1.130	28.70	1.060	26.92	5/8	0.625	15.88	•	•	•	
6801-06-06-NWO	3/8	9/16-18	9/16-18	1.250	31.75	1.060	26.92	5/8	0.625	15.88	•	•	•	
6801-06-08-NWO	3/8	9/16-18	3/4-16	1.450	36.83	1.140	28.96	13/16	0.812	20.62	•	•	•	
6801-06-10-NWO	3/8	9/16-18	7/8-14	1.700	43.18	1.220	30.99	15/16	0.937	23.80	•	•	•	
6801-06-12-NWO	3/8	9/16-18	1 1/16-12	1.940	49.28	1.290	32.77	1 1/8	1.125	28.58	•	•	•	
6801-08-04-NWO	1/2	3/4-16	7/16-20	1.260	32.00	1.250	31.75	13/16	0.812	20.62	•	•	•	
6801-08-05-NWO	1/2	3/4-16	1/2-20	1.260	32.00	1.250	31.75	13/16	0.812	20.62	•	•	•	
6801-08-06-NWO	1/2	3/4-16	9/16-18	1.320	33.53	1.250	31.75	13/16	0.812	20.62	•	•	•	
6801-08-08-NWO	1/2	3/4-16	3/4-16	1.450	36.83	1.250	31.75	13/16	0.812	20.62	•	•	•	
6801-08-10-NWO	1/2	3/4-16	7/8-14	1.700	43.18	1.330	33.78	15/16	0.937	23.80	•	•	•	
6801-08-12-NWO	1/2	3/4-16	1 1/16-12	1.940	49.28	1.410	35.81	1 1/8	1.125	28.58	•	•	•	
6801-08-16-NWO	1/2	3/4-16	1 5/16-12	2.060	52.32	1.550	39.37	1 3/8	1.375	34.93	•	•	•	
6801-10-06-NWO	5/8	7/8-14	9/16-18	1.400	35.56	1.450	36.83	15/16	0.937	23.80	•	•	•	
6801-10-08-NWO	5/8	7/8-14	3/4-16	1.520	38.61	1.450	36.83	15/16	0.937	23.80	•	•	•	
6801-10-10-NWO	5/8	7/8-14	7/8-14	1.700	43.18	1.450	36.83	15/16	0.937	23.80	•	•	•	
6801-10-12-NWO	5/8	7/8-14	1 1/16-12	1.940	49.28	1.550	39.37	1 1/8	1.125	28.58	•	•	•	
6801-10-16-NWO	5/8	7/8-14	1 5/16-12	2.050	52.07	1.660	42.16	1 3/8	1.375	34.93	•	•	•	
6801-10-20-NWO	5/8	7/8-14	1 5/8-12	2.250	57.15	1.860	47.24	1 3/4	1.750	44.45	•	•	•	
6801-12-06-NWO	3/4	1 1/16-12	9/16-18	1.510	38.35	1.650	41.91	1 1/8	1.125	28.58	•	•	•	
6801-12-08-NWO	3/4	1 1/16-12	3/4-16	1.610	40.89	1.660	42.16	1 1/8	1.125	28.58	•	•	•	
6801-12-10-NWO	3/4	1 1/16-12	7/8-14	1.780	45.21	1.660	42.16	1 1/8	1.125	28.58	•	•	•	
6801-12-12-NWO	3/4	1 1/16-12	1 1/16-12	1.940	49.28	1.660	42.16	1 1/8	1.125	28.58	•	•	•	
6801-12-14-NWO	3/4	1 1/16-12	1 3/16-12	2.000	50.80	1.770	44.96	1 1/4	1.250	31.75	•	•	•	
6801-12-16-NWO	3/4	1 1/16-12	1 5/16-12	2.050	52.07	1.780	45.21	1 3/8	1.375	34.93	•	•	•	
6801-12-20-NWO	3/4	1 1/16-12	1 5/8-12	2.250	57.15	1.950	49.53	1 3/4	1.750	44.45	•	•	•	
6801-14-12-NWO	7/8	1 3/16-12	1 1/16-12	1.990	50.55	1.740	44.20	1 1/4	1.250	31.75	•	•	•	
6801-14-14-NWO	7/8	1 3/16-12	1 3/16-12	2.000	50.80	1.800	43.69	1 1/4	1.250	31.75	•	•	•	
6801-14-16-NWO	7/8	1 3/16-12	1 5/16-12	2.060	52.32	1.281	32.54	1 3/8	1.375	34.93	•	•	•	
6801-16-08-NWO	1	1 5/16-12	3/4-16	1.740	44.20	1.810	45.97	1 3/8	1.375	34.93	•	•	•	
6801-16-10-NWO	1	1 5/16-12	7/8-14	1.930	49.02	1.810	45.97	1 3/8	1.375	34.93	•	•	•	
6801-16-12-NWO	1	1 5/16-12	1 1/16-12	2.060	52.32	1.810	45.97	1 3/8	1.375	34.93	•	•	•	
6801-16-14-NWO	1	1 5/16-12	1 3/16-12	2.050	52.07	1.810	45.97	1 3/8	1.375	34.93	•	•	•	
6801-16-16-NWO	1	1 5/16-12	1 5/16-12	2.050	52.07	1.810	45.97	1 3/8	1.375	34.93	•	•	•	
6801-16-20-NWO	1	1 5/16-12	1 5/8-12	2.250	57.15	2.000	50.80	1 3/4	1.750	44.45	•	•	•	
6801-16-24-NWO	1	1 5/16-12	1 7/8-12	2.160	54.86	2.390	60.71	1 7/8	1.875	47.63	•	•	•	
6801-20-12-NWO	1 1/4	1 5/8-12	1 1/16-12	2.250	57.15	2.060	52.32	1 3/4	1.750	44.45	•	•	•	
6801-20-14-NWO	1 1/4	1 5/8-12	1 3/16-12	2.250	57.15	2.060	52.32	1 3/4	1.750	44.45	•	•	•	

continued on next page