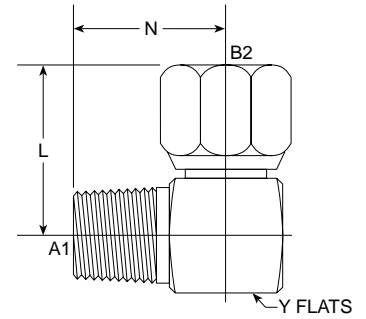


Tube Fittings & Adapters

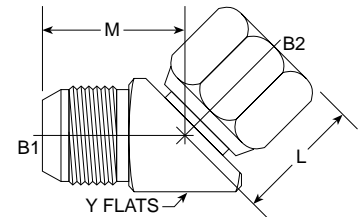
MP-FJS 90° 6501 Series



PART NO. SIZE	TUBE O.D.	A1 NPTF	B2 SAE 37	L LGTH	M.M.	N LGTH	M.M.	Y FLATS	Y FLATS	M.M.	Standard Material From Stock			
											S	FG	SS	B
6501-02-04	1/4	1/8-27	7/16-20	0.780	19.81	1.000	25.40	1/2	0.500	12.70	•	•	•	
6501-02-05	5/16	1/8-27	1/2-20	0.780	19.81	1.000	25.40	9/16	0.562	14.27	•	•	•	
6501-04-04	1/4	1/18	7/16-20	1.110	28.19	1.110	28.19	5/8	0.625	15.88	•	•	•	
6501-04-05	5/16	1/4-18	7/16-20	1.110	28.19	1.090	27.69	5/8	0.625	15.88	•	•	•	
6501-04-06	3/8	1/4-18	9/16-18	1.090	27.69	1.250	31.75	5/8	0.625	15.88	•	•	•	
6501-06-04	1/4	3/8-18	7/16-20	1.110	28.19	1.130	28.70	5/8	0.625	15.88	•	•	•	
6501-06-06	3/8	3/8-18	9/16-18	1.220	30.99	1.330	33.78	13/16	0.812	20.62	•	•	•	
6501-06-08	1/2	3/8-18	3/4-16	1.220	30.99	1.380	35.05	13/16	0.812	20.62	•	•	•	
6501-08-06	3-8	1/2-14	9/16-18	1.470	37.34	1.370	34.80	15/16	0.937	23.80	•	•	•	
6501-08-08	1/2	1/2-14	3/4-16	1.470	37.34	1.470	37.34	15/16	0.937	23.80	•	•	•	
6501-08-10	5/8	1/2-14	7/8-14	1.470	37.34	1.620	41.15	15/16	0.937	23.80	•	•	•	
6501-12-12	3/4	3/4-14	1 1/16-12	1.590	40.39	1.750	44.45	1 1/8	1.125	28.58	•	•	•	
6501-12-14	7/8	3/4-14	1 3/16-12	1.690	42.93	1.780	45.21	1 1/4	1.250	31.75	•	•	•	
6501-16-16	1	1-11 1/2	1 5/16-12	1.970	50.04	2.000	50.80	1 3/8	1.375	34.93	•	•	•	
6501-20-20	1 1/4	1 1/4-11 1/2	1 5/8-12	2.380	60.45	2.310	58.67	1 3/8	1.375	34.93	•	•	•	
6501-24-24	1 1/2	1 1/2-11 1/2	1 7/8-12	2.640	67.06	2.590	65.79	2	2.000	50.80	•	•	•	
6501-32-32	2	2-11 1/2	2 1/2-12	3.000	76.20	3.380	85.85	2 5/8	2.625	66.68	•	•	•	

MJ-FJS 45° 6502 Series

SAE# 070321 / MS# 51522



PART NO. SIZE	TUBE O.D.	B1 SAE 37	B2 SAE 37	L LGTH	M.M.	M LGTH	M.M.	Y FLATS	Y FLATS	M.M.	Standard Material From Stock			
											S	FG	SS	B
6502-02-02	1/8	5/16-24	5/16-24	0.940	23.88	0.690	17.53	7/16	0.437	11.10			•	
6502-04-04	1/4	7/16-20	7/16-20	0.720	18.29	0.940	23.88	1/2	0.500	12.70	•	•	•	
6502-05-05	5/16	1/2-20	1/2-20	0.770	19.56	1.000	25.40	9/16	0.562	14.27	•	•	•	
6502-06-06	3/8	9/16-18	9/16-18	0.830	21.08	1.120	28.45	5/8	0.625	15.88	•	•	•	
6502-08-08	1/2	3/4-16	3/4-16	0.980	24.89	1.280	32.51	1 3/16	1.188	30.16	•	•	•	
6502-10-08	5/8	7/8-14	3/4-16	1.220	30.99	1.210	30.73	15/16	0.937	23.80	•	•	•	
6502-10-10	5/8	7/8-14	7/8-14	1.110	28.19	1.440	36.58	15/16	0.937	23.80	•	•	•	
6502-12-12	3/4	1 1/16-12	1 1/16-12	1.280	32.51	1.500	38.10	1 1/8	1.125	28.58	•	•	•	
6502-14-14	7/8	1 3/16-12	1 3/16-12	1.390	35.31	1.620	41.15	1 1/4	1.250	31.75	•	•	•	
6502-16-16	1	1 5/16-12	1 5/16-12	1.470	37.34	1.750	44.45	1 3/8	1.375	34.93	•	•	•	
6502-20-20	1 1/4	1 5/8-12	1 5/8-12	1.590	40.39	2.030	51.56	1 3/4	1.750	44.45	•	•	•	
6502-24-24	1 1/2	1 7/8-12	1 7/8-12	1.780	45.21	2.250	57.15	2	2.000	50.80	•	•	•	
6502-32-32	2	2 1/2-12	2 1/2-12	2.220	56.39	2.910	73.91	2 5/8	2.625	66.68	•	•	•	