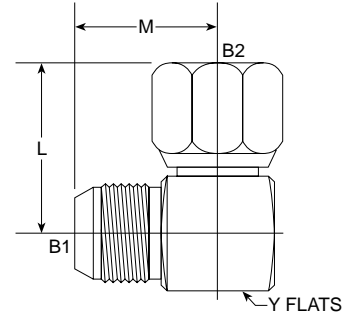


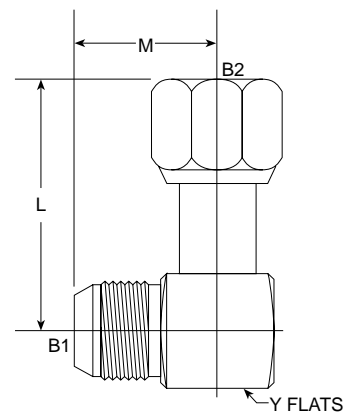
MJ-FJS 90° 6500 Series

SAE # 070221



PART NO. SIZE	TUBE O.D.	B1 SAE 37	B2 SAE 37	L LGTH	M.M.	M LGTH	M.M.	Y FLATS	Y FLATS	M.M.	Standard Material From Stock			
											S	FG	SS	B
6500-02-02	1/8	5/16-24	5/16-24	0.970	24.64	0.770	19.56	7/16	0.437	11.10				
6500-03-03	3/16	3/8-24	3/8-24	1.000	25.40	0.830	21.08	7/16	0.437	11.10	•		•	
6500-04-04	1/4	7/16-20	7/16-20	1.000	25.40	0.890	22.61	1/2	0.500	12.70	•	•	•	
6500-06-04	3/8	9/16-18	7/16-20	1.240	31.50	1.060	26.92	9/16	0.560	14.27	•	•		
6500-05-05	5/16	1/2-20	1/2-20	1.060	26.92	0.950	24.13	9/16	0.562	14.27	•		•	
6500-05-06	5/16	1/2-20	9/16-18	1.220	30.99	1.020	25.91	9/16	0.562	14.27	•			
6500-06-04	3/8	9/16-18	7/16-20	1.240	31.50	1.060	26.92	9/16	0.560	14.27	•	•		
6500-06-06	3/8	9/16-18	9/16-18	1.250	31.75	1.060	26.92	5/8	0.625	15.88	•	•	•	
6500-06-08	3/8	9/16-18	3/4-16	1.360	34.54	1.160	29.46	13/16	0.812	20.62	•	•	•	
6500-08-06	1/2	3/4-16	9/16-18	1.320	33.53	1.250	31.75	13/16	0.812	20.62	•	•	•	
6500-08-08	1/2	3/4-16	3/4-16	1.380	35.05	1.250	31.75	13/16	0.812	20.62	•	•	•	
6500-08-10	1/2	3/4-16	7/8-14	1.620	41.15	1.300	33.02	15/16	0.937	23.80	•	•		
6500-08-12	1/2	3/4-16	1 1/16-12	1.740	44.20	1.410	35.81	1 1/8	1.125	28.58	•	•		
6500-10-08	5/8	7/8-14	3/4-16	1.470	37.34	1.450	36.83	13/16	0.812	20.62	•	•		
6500-10-10	5/8	7/8-14	7/8-14	1.620	41.15	1.450	36.83	15/16	0.937	23.80	•	•	•	
6500-10-12	5/8	7/8-14	1 1/16-12	1.780	45.21	1.530	38.86	1 1/8	1.125	28.58	•	•		
6500-12-08	3/4	1 1/16-12	3/4-16	1.550	39.37	1.650	41.91	1 1/8	1.125	28.58	•	•		
6500-12-10	3/4	1 1/16-12	7/8-14	1.730	43.94	1.650	41.91	1 1/8	1.125	28.58	•	•		
6500-12-12	3/4	1 1/16-12	1 1/16-12	1.750	44.45	1.660	42.16	1 1/8	1.125	28.58	•	•	•	
6500-12-16	3/4 1	1 1/16-12	1 5/16-12	2.030	51.56	1.780	45.21	1 3/8	1.375	34.93	S	•		
6500-14-14	7/8	1 3/16-12	1 3/16-12	1.780	45.21	1.730	43.94	1 1/4	1.250	31.75	•	•		
6500-16-12	1	1 5/16-12	1 1/16-12	1.950	49.53	1.810	45.97	1 5/16	1.310	33.32	•	•		
6500-16-16	1	1 5/16-12	1 5/16-12	2.000	50.80	1.810	45.97	1 3/8	1.375	34.93	•	•	•	
6500-20-20	1 1/4	1 5/8-12	1 5/8-12	2.310	58.67	2.000	50.80	1 3/4	1.750	44.45	•	•	•	
6500-24-24	1 1/2	1 7/8-12	1 7/8-12	2.590	65.79	2.330	84.58	2	2.000	50.80	•	•	•	
6500-32-32	2	2 1/2-12	2 1/2-12	3.380	85.85	3.060	77.72	2 5/8	2.625	66.68	•	•	•	

MJ-FJS 90° Long 6500-L Series



PART NO. SIZE	TUBE O.D.	B1 SAE 37	B2 SAE 37	L LGTH	M.M.	M LGTH	M.M.	Y FLATS	Y FLATS	M.M.	Standard Material From Stock			
											S	FG	SS	B
6500-L-04-04	1/4	7/16-20	7/16-20	2.160	54.86	0.890	22.61	1/2	0.500	12.70	•		•	
6500-L-06-06	3/8	9/16-18	9/16-18	2.540	64.52	1.060	26.92	5/8	0.625	15.88	•			
6500-L-08-08	1/2	3/4-16	3/4-16	2.810	71.37	1.250	31.75	13/16	0.812	20.62	•			
6500-L-10-10	5/8	7/8-14	7/8-14	3.070	77.98	1.450	36.83	15/16	0.937	23.80	•			
6500-L-12-12	3/4	1 1/16-12	1 1/16-12	4.300	109.22	1.660	42.16	1 1/8	1.125	28.58	•			
6500-L-16-16	1	1 5/16-12	1 5/16-12	5.000	127.00	1.810	45.97	1 3/8	1.375	34.93	•		•	