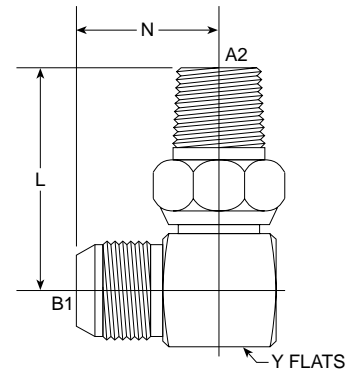


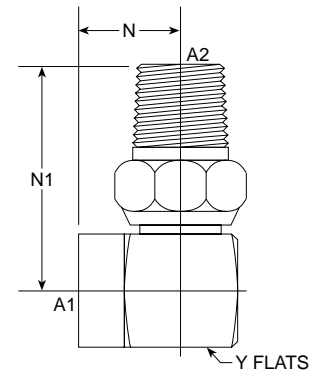
# Tube Fittings & Adapters

## MJ-MPS 90° 5701 Series



PART NO. SIZE	PIPE O.D.	B1 NPTF	A2 NPTF	L LGTH	M.M.	N LGTH	M.M.	Y FLATS	Y FLATS	M.M.	Standard Material From Stock			
											S	FG	SS	B
5701-06-04	3/8	9/16-18	1/4-18	1.080	27.43	1.590	40.39	11/16	0.687	17.45	•			
5701-06-06	3/8	9/16-18	3/8-18	1.140	28.96	1.660	42.16	11/16	0.687	17.45	•			
5701-08-06	1/2	3/4-16	3/8-18	1.260	32.00	1.660	42.16	13/16	0.812	20.62	•	•		
5701-08-08	1/2	3/4-16	1/2-14	1.250	31.75	1.800	45.72	13/16	0.812	20.62	•			
5701-10-08	5/8	7/8-14	1/2-14	1.470	37.34	2.000	50.80	1	1.000	25.40	•	•		
5701-12-12	3/4	1 1/16-12	3/4-14	1.670	42.42	2.140	54.36	1 1/8	1.125	28.58	•			

## FP-MPS 90° 5702 Series



PART NO. SIZE	PIPE O.D.	A1 NPTF	A2 NPTF	N LGTH	M.M.	N1 LGTH	M.M.	Y FLATS	Y FLATS	M.M.	Standard Material From Stock			
											S	FG	SS	B
5702-04-04	1/4	1/4-18	1/4-18	0.890	22.61	1.590	40.39	3/4	0.750	19.05		•		
5702-06-06	3/8	3/8-18	3/8-18	1.030	26.16	1.700	43.18	7/8	0.875	22.23		•		
5702-08-08	1/2	1/2-14	1/2-14	1.240	31.50	2.010	51.05	1 1/16	1.125	28.58		•		
5702-12-12	3/4	3/4-14	3/4-14	1.370	34.80	2.250	57.15	1 3/8	1.375	34.93		•		

PART NO. SIZE	TUBE O.D.	Standard Material From Stock			
		S	FG	SS	B
6000-02	1/8	•		•	
6000-03	3/16	•		•	
6000-04	1/4	•		•	
6000-05	5/16	•		•	
6000-06	3/8	•		•	
6000-08	1/2	•		•	
6000-10	5/8	•		•	
6000-12	3/4	•		•	
6000-14	7/8	•		•	
6000-16	1	•		•	
6000-20	1 1/4	•		•	
6000-24	1 1/2	•		•	
6000-32	2	•		•	

## Back-Up Washer 6000 Series

