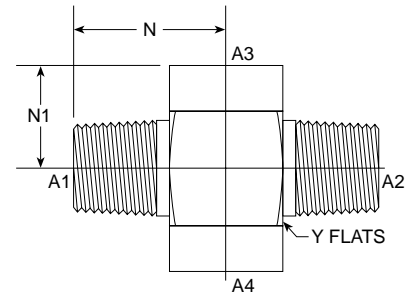
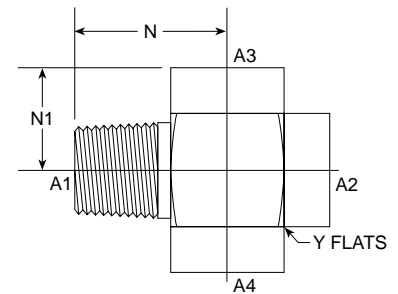


MP-MP-FP-FP Cross 5653 Series



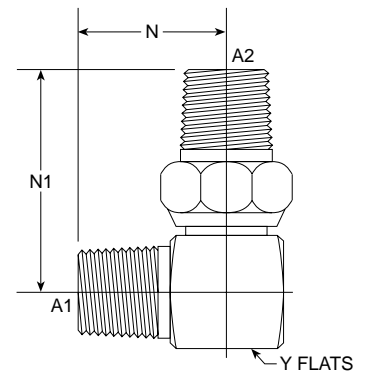
PART NO. SIZE	PIPE O.D.	A1 NPTF	A2 NPTF	A3 NPTF	A4 NPTF	N LGTH M.M.	N1 LGTH M.M.	Y FLATS	Y FLATS	M.M.	Standard Material From Stock					
											S	FG	SS	B		
5653-04-04-04-04	1/4	1/4-18	1/4-18	1/4-18	1/4-18	1.170	29.72	0.880	22.35	7/8	0.875	22.23	•			
5653-06-06-06-06	3/8	3/8-18	3/8-18	3/8-18	3/8-18	1.22	30.99	1.02	25.91	7/8	0.875	22.23	•	•		

MP-FP-FP-FP Cross 5655 Series



PART NO. SIZE	PIPE O.D.	A1 NPTF	A2 NPTF	A3 NPTF	A4 NPTF	N LGTH M.M.	N1 LGTH M.M.	Y FLATS	Y FLATS	M.M.	Standard Material From Stock					
											S	FG	SS	B		
5655-04-04-04-04	1/4	1/4-18	1/4-18	1/4-18	1/4-18	1.070	27.18	0.880	22.35	3/4	0.750	19.05	•			
5655-06-06-06-06	3/8	3/8-18	3/8-18	3/8-18	3/8-18	1.220	30.99	1.020	25.91	7/8	0.875	22.23	•			
5655-08-08-08-08	1/2	1/2-14	1/2-14	1/2-14	1/2-14	1.470	37.34	1.240	31.50	1 1/8	1.125	28.58	•			
5655-12-12-12-12	3/4	3/4-14	3/4-14	3/4-14	3/4-14	1.580	40.13	1.370	34.80	1 3/8	1.375	34.93	•		•	
5655-16-16-16-16	1	1-11 1/2	1-11 1/2	1-11 1/2	1-11 1/2	1.97	50.04	1.63	41.40	1 5/8	1.625	41.28	•	•		

MP-MPS 90° 5700 Series



PART NO. SIZE	PIPE O.D.	A1 NPTF	A2 NPTF	N LGTH M.M.	N1 LGTH M.M.	Y FLATS	Y FLATS	M.M.	Standard Material From Stock					
									S	FG	SS	B		
5700-04-04	1/4	1/4-18	1/4-18	1.070	27.18	1.155	29.34	5/8	0.625	15.88	•			
5700-06-06	3/8	9/16-18	3/8-18	1.220	30.99	1.640	41.66	3/4	0.750	19.05	•	•		
5700-08-08	1/2	1/2-14	1/2-14	1.490	37.85	2.000	50.80	7/8	0.875	22.23	•	•		
5700-12-12	3/4	1 1/16-12	3/4-14	1.520	38.61	2.140	54.36	1 1/8	1.125	28.58	•			