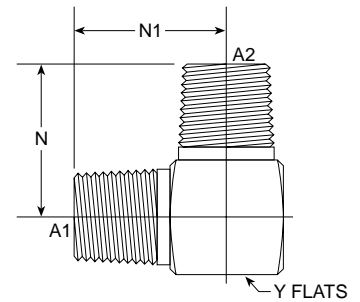


Tube Fittings & Adapters

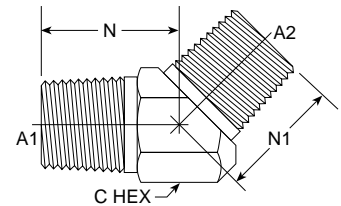
MP-MP 90° 5500 Series

SAE# 140237



PART NO. SIZE	PIPE O.D.	A1 NPTF	A2 NPTF	N LGTH	M.M.	N1 LGTH	M.M.	Y FLATS	Y FLATS	M.M.	Standard Material From Stock			
											S	FG	SS	B
5500-02-02	1/8	1/8-27	1/8-27	0.780	19.81	0.780	19.84	1/2	0.500	12.70	•	•	•	•
5500-04-02	1/4	1/4-18	1/8-27	1.090	27.69	0.835	21.21	5/8	0.625	15.88	•	•	•	•
5500-04-04	1/4	1/4-18	1/4-18	1.090	27.69	1.090	27.69	5/8	0.625	15.88	•	•	•	•
5500-06-02	3/8	3/8-18	1/8-27	0.836	21.23	1.200	30.48	3/4	0.750	19.05	•	•	•	•
5500-06-04	3/8	3/8-18	1/4-18	1.220	30.99	1.220	30.99	13/16	0.812	20.62	•	•	•	•
5500-06-06	3/8	3/8-18	3/8-18	1.220	30.99	1.220	30.99	13/16	0.812	20.62	•	•	•	•
5500-08-04	1/2	1/2-14	1/4-18	1.470	37.34	1.280	37.34	15/16	0.937	23.80	•	•	•	•
5500-08-06	1/2	1/2-14	3/8-18	1.470	37.34	1.280	37.34	15/16	0.937	23.80	•	•	•	•
5500-08-08	1/2	1/2-14	1/2-14	1.470	37.34	1.470	37.34	15/16	0.937	23.80	•	•	•	•
5500-12-06	3/4	3/4-14	3/8-18	1.380	35.05	1.600	40.64	1 1/8	1.125	28.58	•	•	•	•
5500-12-08	3/4	3/4-14	1/2-14	1.590	40.39	1.590	40.39	1 1/8	1.125	28.58	•	•	•	•
5500-12-12	3/4	3/4-14	3/4-14	1.590	40.39	1.590	40.39	1 1/8	1.125	28.58	•	•	•	•
5500-16-08	1	1-11 1/2	1/2-14	1.620	41.15	2.020	51.31	1 3/8	1.375	34.93	•	•	•	•
5500-16-12	1	1-11 1/2	3/4-14	1.970	50.04	1.780	45.21	1 3/8	1.375	34.93	•	•	•	•
5500-16-16	1	1-11 1/2	1-11 1/2	1.970	50.04	1.970	50.04	1 3/8	1.375	34.93	•	•	•	•
5500-20-20	1 1/4	1 1/4-11 1/2	1 1/4-11 1/2	2.380	60.45	2.380	60.45	1 3/4	1.750	44.45	•	•	•	•
5500-24-24	1 1/2	1 1/2-11 1/2	1 1/2-11 1/2	2.640	67.06	2.640	67.06	2	2.000	50.80	•	•	•	•
5500-32-32	2	2-11 1/2	2-11 1/2	3.000	76.20	3.000	76.20	2 5/8	2.625	66.68	•	•	•	•

MP-MP 45° 5501 Series



PART NO. SIZE	PIPE O.D.	A1 NPTF	A2 NPTF	N LGTH	M.M.	N1 LGTH	M.M.	C HEX	C HEX	M.M.	Standard Material From Stock			
											S	FG	SS	B
5501-02-02	1/8	1/8-27	1/8-27	0.710	18.03	0.710	18.03	5/8	0.625	15.88	•	•	•	•
5501-04-04	1/4	1/4-18	1/4-18	0.840	21.34	0.840	21.34	5/8	0.625	15.88	•	•	•	•
5501-06-06	3/8	3/8-18	3/8-18	0.960	24.38	0.960	24.38	13/16	0.812	20.62	•	•	•	•
5501-08-08	1/2	1/2-14	1/2-14	1.170	29.72	1.170	29.72	15/16	0.937	23.80	•	•	•	•
5501-12-12	3/4	3/4-14	3/4-14	1.210	30.73	1.210	30.73	1 1/8	1.125	28.58	•	•	•	•
5501-16-16	1	1-11 1/2	1-11 1/2	1.560	39.62	1.560	39.62	1 3/8	1.375	34.93	•	•	•	•
5501-20-20	1 1/4	1 1/4-11 1/2	1 1/4-11 1/2	1.620	41.15	1.620	41.15	1 3/4	1.750	44.45	•	•	•	•
5501-24-24	1 1/2	1 1/2-11 1/2	1 1/2-11 1/2	1.770	44.96	1.770	44.96	2	2.000	50.80	•	•	•	•