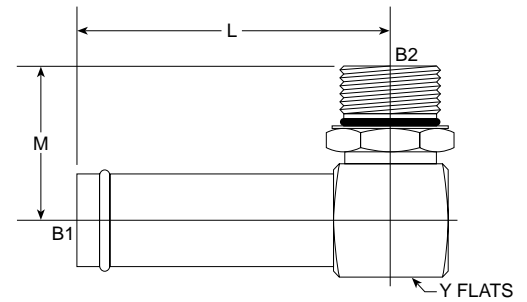


Tube Fittings & Adapters

HB-MAORB 90° 4601-NWO Series



PART NO. SIZE	B1 TUBE O.D.	B2 AORB	L LGTH	M.M.	M LGTH	M.M.	Y FLATS	Y FLATS	M.M.	Standard Material From Stock			
										S	FG	SS	B
4601-04-04-NWO	1/4	7/16-20	1.750	44.45	1.031	26.19	1/2	0.500	12.70	•	•		
4601-04-06-NWO	1/4	9/16-18	1.810	45.97	1.270	32.26	5/8	0.625	15.88	•			
4601-05-04-NWO	5/16	7/16-20	1.770	44.96	1.010	25.65	1/2	0.500	12.70	•			
4601-06-04-NWO	3/8	7/16-20	1.810	45.97	1.190	30.20	7/16	0.438	14.30	•	•		
4601-06-06-NWO	3/8	9/16-18	1.812	46.02	1.250	31.75	5/8	0.625	15.88	•	•		
4601-06-08-NWO	3/8	3/4-16	1.890	48.01	1.470	37.34	13/16	0.812	20.62	•			
4601-08-06-NWO	1/2	9/16-18	1.906	48.41	1.812	46.02	13/16	0.812	20.62	•			
4601-08-08-NWO	1/2	3/4-16	1.906	48.41	1.453	36.91	13/16	0.812	20.62	•			
4601-10-08-NWO	5/8	3/4-16	1.900	48.26	1.450	36.83	13/16	0.812	20.62	•			
4601-10-10-NWO	5/8	7/8-14	1.968	49.99	1.703	43.26	15/16	0.937	23.80	•			
4601-10-12-NWO	5/8	1 1/16-12	2.070	52.58	1.930	49.02	1 1/8	1.125	28.58	•			
4601-12-08-NWO	3/4	3/4-16	1.890	48.01	1.450	36.83	13/16	0.812	20.62	•			
4601-12-10-NWO	3/4	7/8-14	1.930	49.02	1.680	42.67	15/16	0.937	23.80	•			
4601-12-12-NWO	3/4	1 1/16-12	2.062	52.37	1.937	49.20	1 1/8	1.125	28.58	•			
4601-12-16-NWO	3/4	1 5/16-12	2.190	55.63	2.040	51.82	1 3/8	1.375	34.93	•			
4601-14-14-NWO	7/8	1 3/16-12	2.125	53.98	2.000	50.80	1 1/4	1.250	31.75	•			
4601-16-08-NWO	1	3/4-16	2.050	52.07	1.600	40.64	1 1/8	1.125	31.75	•			
4601-16-10-NWO	1	7/8-14	2.375	60.20	2.000	50.80	1 5/16	1.312	33.30	•	•		
4601-16-12-NWO	1	1 1/16-12	2.020	51.31	1.950	49.53	1 1/8	1.125	28.58	•			
4601-16-14-NWO	1	1 3/16-12	2.110	53.59	2.000	50.80	1 1/4	1.250	31.75	•			
4601-16-16-NWO	1	1 5/16-12	2.187	55.55	2.046	51.97	1 3/8	1.375	34.93	•			
4601-16-20-NWO	1	1 5/8-12	2.340	59.44	2.250	57.15	1 3/4	1.750	44.45	•			
4601-16-24-NWO	1	1 7/8-12	2.470	62.74	2.400	60.96	2	2.000	50.80	•			
4601-20-12-NWO	1 1/4	1 1/16-12	2.400	60.96	2.000	50.80	1 5/8	1.625	41.30	•	•		
4601-20-16-NWO	1 1/4	1 5/16-12	2.200	55.88	2.040	51.82	1 3/8	1.375	34.93	•			
4601-20-20-NWO	1 1/4	1 5/8-12	2.375	60.33	2.250	57.15	1 3/4	1.750	44.45	•			
4601-20-24-NWO	1 1/4	1 7/8-12	2.500	63.50	2.400	60.96	2	2.000	50.80	•			
4601-24-16-NWO	1 1/2	1 5/16-12	2.320	58.93	2.170	55.12	1 5/8	1.625	41.28	•			
4601-24-20-NWO	1 1/2	1 5/8-12	2.370	60.20	2.240	56.90	1 3/4	1.750	44.45	•			
4601-24-24-NWO	1 1/2	1 7/8-12	2.500	63.50	2.390	60.71	2	2.000	50.80	•			
4601-32-32-NWO	2	2 1/2-12	2.812	71.42	2.890	73.41	2 5/8	2.625	66.68	•	•		