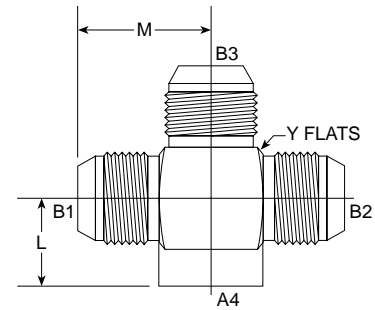


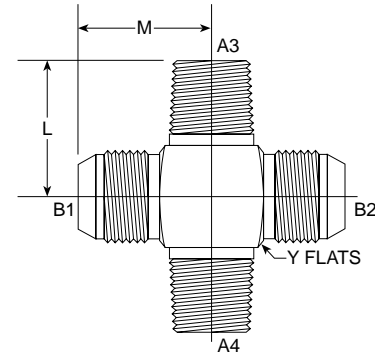
Tube Fittings & Adapters

MJ-MJ-MJ-FP Cross 2652 Series



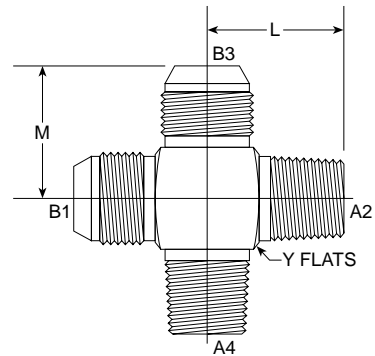
PART NO. SIZE	TUBE O.D.	B1 SAE 37	B2 SAE 37	B3 SAE 37	A4 NPTF	L LGTH	M.M.	M LGTH	M.M.	Y FLATS	Y FLATS	M.M.	Standard Material From Stock				
													S	FG	SS	B	
2652-10-10-10-08	5/8	7/8-14	7/8-14	7/8-14	1/2-14	1.230	31.24	1.640	41.66	1 1/4	1.125	28.58	•				

MJ-MJ-MP-MP Cross 2653 Series



PART NO. SIZE	TUBE O.D.	B1 SAE 37	B2 SAE 37	A3 NPTF	A4 NPTF	L LGTH	M.M.	M LGTH	M.M.	Y FLATS	Y FLATS	M.M.	Standard Material From Stock				
													S	FG	SS	B	
2653-04-04-02-02	1/4	7/16-20	7/16-20	1/8-27	1/8-27	0.780	19.81	0.980	24.89	1/2	0.500	12.70	•				
2653-16-16-16-16	1	15/16-12	15/16-12	1-11 1/2	1-11 1/2	1.970	50.04	1.810	45.97	1 3/8	1.375	34.93	•				

MJ-MP-MJ-MP Cross 2654 Series



PART NO. SIZE	TUBE O.D.	B1 SAE 37	A2 NPTF	B3 SAE 37	A4 NPTF	L LGTH	M.M.	M LGTH	M.M.	Y FLATS	Y FLATS	M.M.	Standard Material From Stock				
													S	FG	SS	B	
2654-08-06-08-06	1/2	3/4-16	3/8-18	3/4-16	3/8-18	1.220	30.99	1.250	31.75	13/16	0.812	20.62	•				