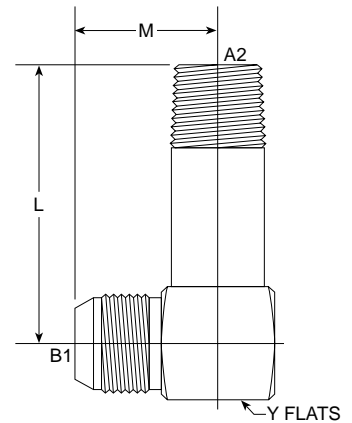


# Tube Fittings & Adapters

## MJ-MP 90° X-Long 2501-LL Series

SAE# 071602



PART NO. SIZE	TUBE O.D.	B1 SAE 37	A2 NPTF	L LGTH	M.M.	M LGTH	M.M.	Y FLATS	Y FLATS	M.M.	Standard Material From Stock			
											S	FG	SS	B
2501-LL-04-02	1/4	7/16-20	1/8-27	1.562	39.67	0.890	22.61	1/2	0.500	12.70	•	•	•	
2501-LL-04-04	1/4	7/16-20	1/4-18	2.070	52.59	0.970	24.64	5/8	0.625	15.88	•	•	•	
2501-LL-05-02	5/16	1/2-20	1/8-27	1.625	41.28	0.950	24.13	9/16	0.562	14.27	•	•	•	
2501-LL-05-04	5/16	1/2-20	1/4-18	2.060	52.32	0.950	24.13	9/16	0.562	14.27	•	•	•	
2501-LL-06-04	3/8	9/16-18	1/4-18	2.078	52.78	1.060	26.92	5/8	0.625	15.88	•	•	•	
2501-LL-06-06	3/8	9/16-18	3/8-18	2.420	61.47	1.140	28.96	13/16	0.812	20.62	•	•	•	
2501-LL-06-08	3/8	9/16-18	1/2-14	2.870	72.90	1.220	30.99	15/16	0.937	23.80	•	•	•	
2501-LL-08-04	1/2	3/4-16	1/4-18	2.160	54.86	1.250	31.75	13/16	0.812	20.62	•	•	•	
2501-LL-08-06	1/2	3/4-16	3/8-18	2.421	61.49	1.250	31.75	13/16	0.812	20.62	•	•	•	
2501-LL-08-08	1/2	3/4-16	1/2-14	3.010	76.45	1.250	31.75	15/16	0.937	23.80	•	•	•	
2501-LL-10-08	5/8	7/8-14	1/2-14	2.875	73.03	1.450	36.83	15/16	0.937	23.80	•	•		
2501-LL-10-12	5/8	7/8-14	3/4-14	3.280	83.31	1.550	39.37	1 1/8	1.125	28.58	•	•		
2501-LL-12-08	3/4	1 1/16-12	1/2-14	3.090	78.49	1.660	42.16	1 1/8	1.125	28.58	•	•		
2501-LL-12-12	3/4	1 1/16-12	3/4-14	3.280	83.31	1.660	42.16	1 1/8	1.125	28.58	•	•	•	
2501-LL-14-12	7/8	1 3/16-12	3/4-14	3.500	88.90	1.800	45.72	1 1/4	1.250	31.75	•	•		
2501-LL-16-12	1	1 5/16-12	3/4-14	3.380	85.85	1.810	45.97	1 3/8	1.375	34.93	•	•	•	
2501-LL-16-16	1	1 5/16-12	1-11 1/2	4.050	102.87	1.810	45.97	1 3/8	1.375	34.93	•	•	•	
2501-LL-20-20	1 1/4	1 5/8-12	1 1/4-11 1/2	5.000	127.00	2.060	52.32	1 3/4	1.750	44.45	•	•		
2501-LL-24-24	1 1/2	1 7/8-12	1 1/2-11 1/2	5.550	140.97	2.330	59.18	2	2.000	50.80	•	•		