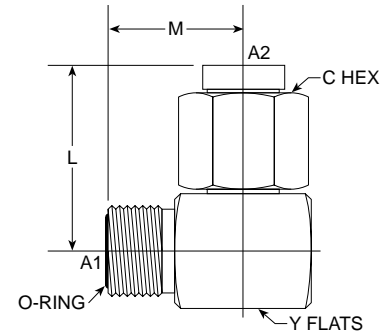


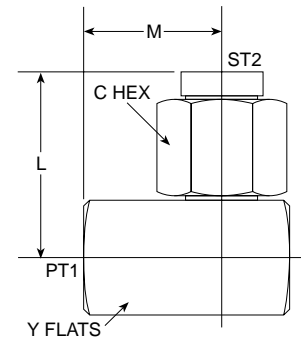
MFS-FFSS 90° FS6500 Series

SAE# 520221



PART NO. SIZE	TUBE O.D.	A1 THREAD	A2 THREAD	L LGTH M.M.	M LGTH M.M.	C HEX	C HEX	Y FLATS	Y FLATS	M.M.	Standard Material From Stock						
											S	FG	SS	B			
FS6500-04-04	1/4	9/16-18	9/16-18	1.040	26.42	0.850	21.59	11/16	0.688	17.47	9/16	0.562	14.27	•	•		
FS6500-06-06	3/8	11/16-16	11/16-16	1.150	29.21	0.980	24.89	13/16	0.812	20.62	3/4	0.750	19.05	•	•		
FS6500-08-08	1/2	13/16-16	13/16-16	1.490	37.85	0.850	21.59	15/16	0.938	23.82	3/4	0.750	19.05	•	•		
FS6500-10-10	5/8	1-14	1-14	1.620	41.15	0.980	24.89	1 1/8	1.125	28.57	1 1/16	1.062	26.97	•	•		
FS6500-12-12	3/4	1 3/16-12	1 3/16-12	2.290	58.17	0.850	21.59	1 3/8	1.375	34.92	1 3/16	1.188	30.17	•	•		
FS6500-16-16	1	1 7/16-12	1 7/16-12	2.410	61.21	0.980	24.89	1 5/8	1.625	41.27	1 7/16	1.438	36.52	•	•		
FS6500-20-20	1 1/4	1 11/16-12	1 11/16-12	2.290	58.17	0.850	21.59	1 7/8	1.875	47.62	1 5/8	1.625	41.27	•	•		
FS6500-24-24	1 1/2	2-12	2-12	2.410	61.21	0.980	24.89	2 1/2	2.250	57.15	1 7/8	1.875	47.62	•	•		

FP-FFSS 90° FS6503 Series



PART NO. SIZE	TUBE O.D.	PT1 THREAD	ST2 THREAD	L LGTH M.M.	W WIDTH M.M.	C HEX	C HEX	Y FLATS	Y FLATS	M.M.	Standard Material From Stock						
											S	FG	SS	B			
NEW FS6503-04-04																	
NEW FS6503-06-06																	