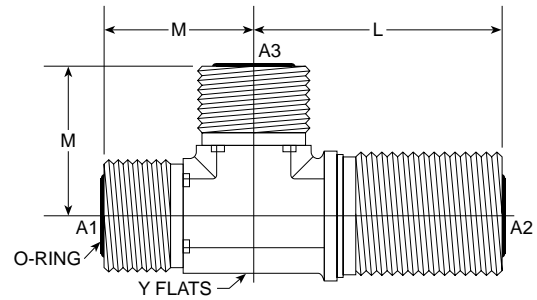


O-ring Face Seal Fittings

MFS-MFS-MFS Tee FS2704 Series

SAE# 520201

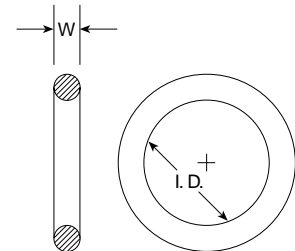


PART NO. SIZE	TUBE O.D.	A1 THREAD	A2 THREAD	A3 THREAD	L LGTH	M M.M.	M LGTH	Y FLATS	Y FLATS	M.M.	PLATE MAX	Standard Material From Stock				
												S	FG	SS	B	
FS2704-04-04-04	1/4	9/16-12	9/16-12	9/16-12	1.850	46.99	0.890	22.61	9/16	0.562	14.27	1/2	•	•		
FS2704-06-06-06	3/8	11/16-16	11/16-16	11/16-16	2.050	52.07	1.020	25.91	3/4	0.750	19.05	35/64	•	•		
FS2704-08-08-08	1/2	13/16-16	13/16-16	13/16-16	2.180	55.37	1.140	28.96	3/4	0.750	19.05	35/64	•	•		
FS2704-10-10-10	5/8	1-14	1-14	1-14	2.480	62.99	1.360	34.55	1 1/16	1.062	26.97	35/64	•	•		
FS2704-12-12-12	3/4	1 3/16-12	1 3/16-12	1 3/16-12	2.650	67.31	1.520	38.61	1 3/16	1.188	30.17	35/64	•	•		
FS2704-16-16-16	1	1 7/16-12	1 7/16-12	1 7/16-12	2.800	71.12	1.670	42.42	1 7/16	1.438	36.52	35/64	•	•		
FS2704-20-20-20	1 1/4	1 11/16-12	1 11/16-12	1 11/16-12	2.970	75.44	1.790	45.47	1 5/8	1.625	41.27	35/64	•	•		

PART NO. SIZE	TUBE O.D.	W WIDTH	I.D.	M.M.
FS4000-04	1/4	0.070	0.301	7.64
FS4000-06	3/8	0.070	0.364	9.25
FS4000-08	1/2	0.070	0.489	12.42
FS4000-10	5/8	0.070	0.614	15.60
FS4000-12	3/4	0.070	0.739	18.77
FS4000-16	1	0.070	0.926	23.52
FS4000-20	1 1/4	0.070	1.176	29.87
FS4000-24	1 1/2	0.070	1.489	37.82

Buna O Ring FS4000 Series

SAE# J515 TYPE CH



PART NO. SIZE	TUBE O.D.	W WIDTH	I.D.	M.M.
NEW FS4001-04				
NEW FS4001-06				
NEW FS4001-08				
NEW FS4001-10				
NEW FS4001-12				
NEW FS4001-16				
NEW FS4001-20				
NEW FS4001-24				

Viton O Ring FS4001 Series

