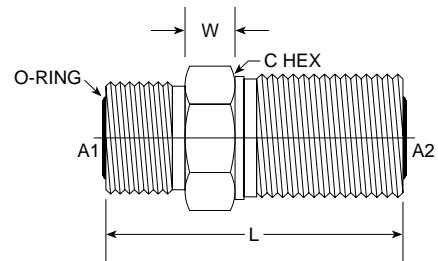


# O-ring Face Seal Fittings

## MFS-MFS Bulkhead Union FS2700 Series

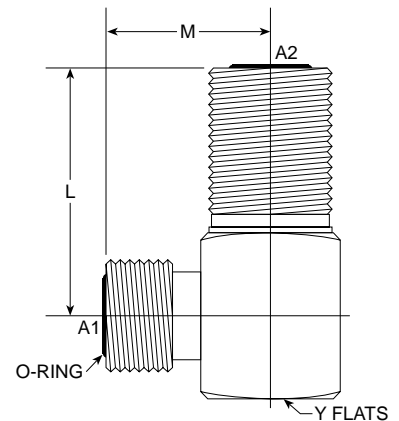
SAE # 520601



PART NO. SIZE	TUBE O.D.	A1 THREAD	A2 THREAD	L LGTH M.M.	W WIDTH M.M.	C HEX	C HEX	M.M.	PLATE MAX	Standard Material From Stock					
										S	FG	SS	B		
FS2700-04-04	1/4	9/16-18	9/16-18	1.090	27.69	0.270	6.86	13/16	0.812	20.63	1/2	•			
FS2700-06-06	3/8	11/16-16	11/16-16	2.090	53.09	0.310	7.87	1	1.000	25.40	35/64	•			
FS2700-08-08	1/2	13/16-16	13/16-16	2.300	58.42	0.350	8.89	1 1/4	1.250	31.75	35/64	•			
FS2700-10-10	5/8	1-14	1-14	2.620	66.55	0.410	10.41	1 5/16	1.312	33.32	35/64	•			
FS2700-12-12	3/4	1 3/16-12	1 3/16-12	2.720	69.09	0.410	10.41	1 1/2	1.500	38.10	35/64	•			
FS2700-16-16	1	1 7/16-12	1 7/16-12	2.760	70.10	0.410	10.41	1 3/4	1.750	44.45	35/64	•			
FS2700-20-20	1 1/4	1 11/16-12	1 11/16-12	2.760	70.10	0.410	10.41	2	2.000	50.80	35/64	•			
FS2700-24-24	1 1/2	2-14	2-14	2.760	70.10	0.410	10.41	2 3/8	2.375	60.32	35/64	•			

## MFS-MFS Bulkhead 90° FS2701 Series

SAE # 520701



PART NO. SIZE	TUBE O.D.	A1 THREAD	A2 THREAD	L LGTH M.M.	M LGTH M.M.	Y FLATS	Y FLATS	M.M.	PLATE MAX	Standard Material From Stock					
										S	FG	SS	B		
FS2701-04-04	1/4	9/16-12	9/16-12	1.850	46.99	0.890	22.61	9/16	0.562	14.27	1/2	•	•		
FS2701-06-06	3/8	11/16-16	11/16-16	2.050	52.07	1.020	25.91	3/4	0.750	19.05	35/64	•	•		
FS2701-06-08	3/8	11/16-12	13/16-12	2.180	55.37	1.08	27.43	3/4	0.750	19.05	35/64	•	•		
FS2701-08-08	1/2	13/16-16	13/16-16	2.180	55.37	1.140	28.96	3/4	0.750	19.05	35/64	•	•		
<b>NEW</b> FS2701-08-10												•	•		
FS2701-10-10	5/8	1-14	1-14	2.480	62.99	1.360	34.54	1 1/16	1.062	26.97	35/64	•	•		
FS2701-12-12	3/4	1 3/16-12	1 3/16-12	2.650	67.31	1.520	38.61	1 3/16	1.188	30.17	35/64	•	•		
FS2701-16-16	1	1 7/16-12	1 7/16-12	2.800	71.12	1.670	42.42	1 7/16	1.438	36.52	35/64	•	•		
FS2701-20-20	1 1/4	1 11/16-12	1 11/16-12	2.970	75.44	1.790	45.47	1 5/8	1.625	41.27	35/64	•	•		
FS2701-24-24	1 1/2	2-12	2-12	3.130	79.50	1.950	49.53	1 7/8	1.875	47.62	35/64	•	•		