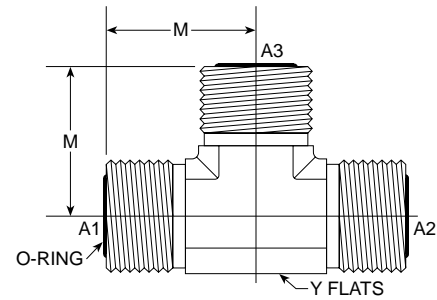


MFS-MFS-MFS Tee FS2603 Series

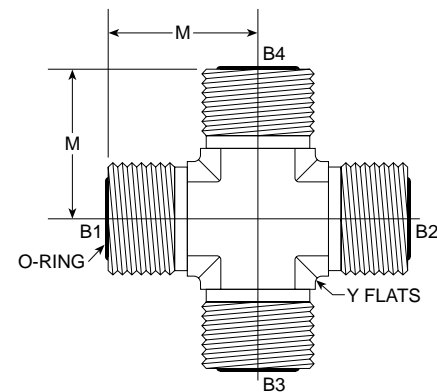
SAE # 520401



PART NO. SIZE	TUBE O.D.	A1 THREAD	A2 THREAD	A3 THREAD	M LGTH	M.M.	Y FLATS	Y FLATS	M.M.	Standard Material From Stock			
										S	FG	SS	B
FS2603-04-04-04	1/4	9/16-18	9/16-18	9/16-18	0.850	21.59	9/16	0.562	14.27	•	•		
FS2603-06-06-06	3/8	11/16-16	11/16-16	11/16-16	0.980	24.89	3/4	0.750	19.05	•	•		
FS2603-08-08-08	1/2	13/16-16	13/16-16	13/16-16	1.100	27.94	3/4	0.750	19.05	•	•		
FS2603-10-10-10	5/8	1-14	1-14	1-14	1.310	33.27	1 1/16	1.062	26.97	•	•		
FS2603-12-12-12	3/4	1 3/16-12	1 3/16-12	1 3/16-12	1.470	37.34	1 3/16	1.188	30.17	•	•		
FS2603-16-16-16	1	1 7/16-12	1 7/16-12	1 7/16-12	1.640	41.66	1 7/16	1.438	36.52	•	•		
FS2603-20-20-20	1 1/4	1 11/16-12	1 11/16-12	1 11/16-12	1.760	44.70	1 5/8	1.625	41.27	•	•		
FS2603-24-24-24	1 1/2	2-14	2-14	2-14	1.920	48.77	1 7/8	1.875	47.62	•	•		

MFS-MFS-MFS-MFS Cross FS2650 Series

SAE # 520501



PART NO. SIZE	TUBE O.D.	A1 THREAD	A2 THREAD	A3 THREAD	A4 THREAD	M LGTH	M.M.	Y FLATS	Y FLATS	M.M.	Standard Material From Stock			
											S	FG	SS	B
FS2650-04-04-04-04	1/4	9/16-12	9/16-12	9/16-12	9/16-12	0.850	21.59	9/16	0.562	14.27	•	•		
FS2650-06-06-06-06	3/8	11/16-16	11/16-16	11/16-16	11/16-16	0.980	24.89	3/4	0.750	19.05	•	•		
FS2650-08-08-08-08	1/2	13/16-16	13/16-16	13/16-16	13/16-16	1.100	27.94	3/4	0.750	19.05	•	•		
FS2650-10-10-10-10	5/8	1-14	1-14	1-14	1-14	1.310	33.27	1 1/16	1.062	26.97	•	•		
FS2650-12-12-12-12	3/4	1 3/16-12	1 3/16-12	1 3/16-12	1 3/16-12	1.470	37.34	1 3/16	1.188	30.17	•	•		
FS2650-16-16-16-16	1	1 7/16-12	1 7/16-12	1 7/16-12	1 7/16-12	1.640	41.66	1 7/16	1.438	36.52	•	•		
FS2650-20-20-20-20	1 1/4	1 11/16-12	1 11/16-12	1 11/16-12	1 11/16-12	1.760	44.71	1 5/8	1.625	41.27	•	•		
FS2650-24-24-24-24	1 1/2	2-12	2-12	2-12	2-12	1.920	48.77	1 7/8	1.875	47.62	•	•		